

Manual Diaphragm Valve Type 905

As supplement to the existing product range, SED Flow Control developed a new innovative manual diaphragm valve series: Type 905.

It is User-friendly with integrated, beneficial features for our customers and has an attractive design.

Type 905 differentiates from the existing products in the market by offering unique features.

Diaphragm valves made of high quality stainless steel with a polished surface of 0,25 to 0,8 μm are used to shut off, control or dose aseptic medias.

The main applications are in following industries:

- Pharmaceutical industry
- Biotech industry
- Cosmetic industry
- Food- and beverage industry
- Chemical industry

Features

- Diaphragm Size MA25 – 50, DN15-50
- Stainless steel bonnet and plastic hand wheel
- Rising hand wheel with optical indicator and stroke indicator
- Sealed bonnet
- Integrated travel stop
- Integrated stroke limiter
- Integrated locking device
- CDSA sealing concept
- Flexible diaphragm suspension
- Encapsulated diaphragm

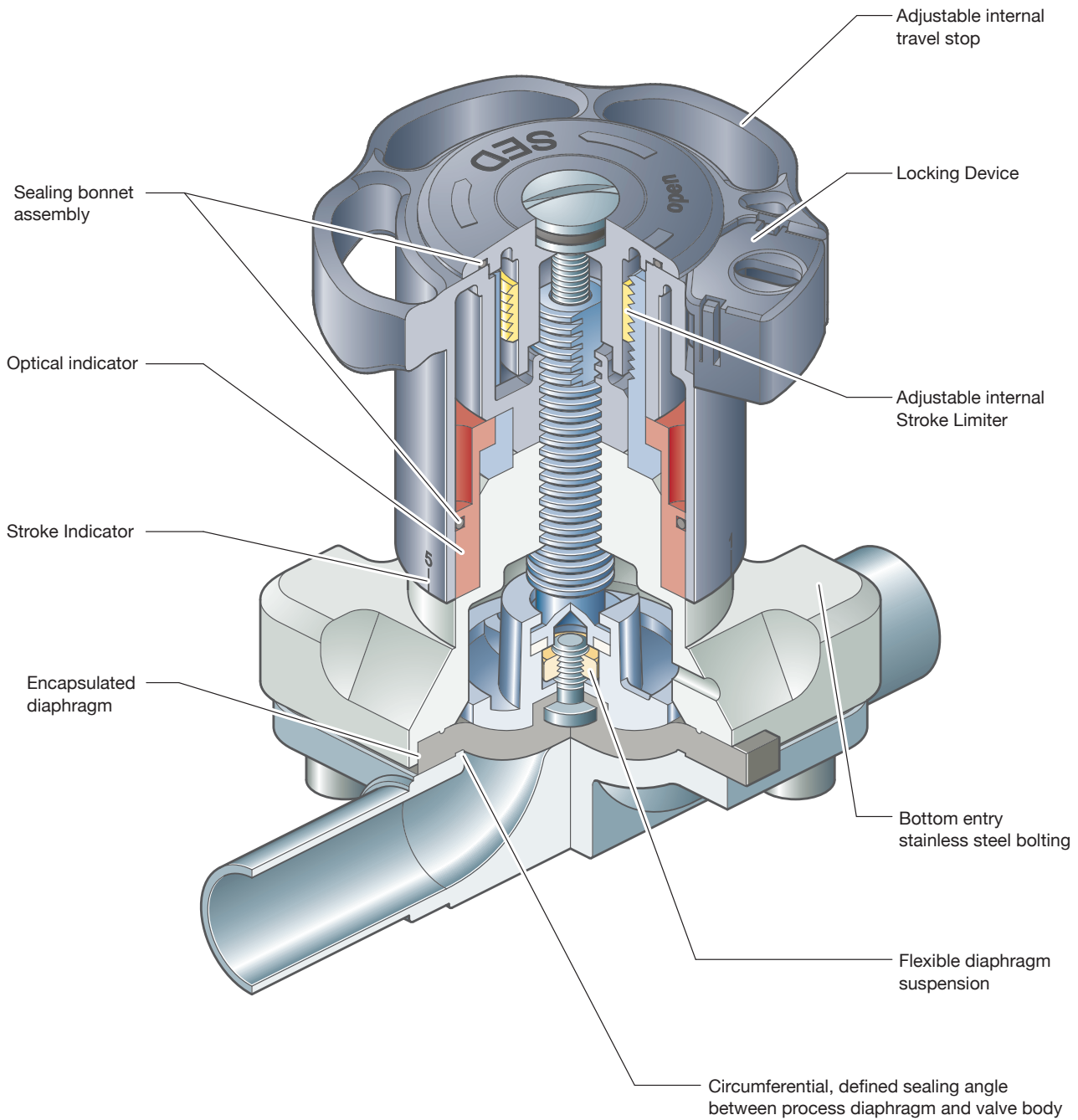
Optional

- U-Lock for hand wheel
- Assembly of proximity switches
- Autoclavable

New!



Manual Diaphragm Valve Type 905



Product movie



Scan the QR-Code or
visit www.sed-flowcontrol.com



Am Schafbaum 2
D - 74906 Bad Rappenau
www.sed-flowcontrol.com

Phone: +49(0)7264/921-0
Fax: +49(0)7264/921-21
E-Mail: info@sed-flowcontrol.com

an *OAliaxis* company