

During loading and unloading operations at terminals, operators often have to deal with long heavy hose assemblies.

Elaflex has developed the hose trolley range 'HTR' to ease the handling of large hose assemblies and to additionally increase longevity.

Our 'HTR-T' hose trolley comes with four robust rubberised free rotating wheels for heavy duty and intensive use at terminals, also under rough conditions. Suitable for all bunkering, cargo and dock hoses as well as tank truck hoses at docks, ports and refineries.



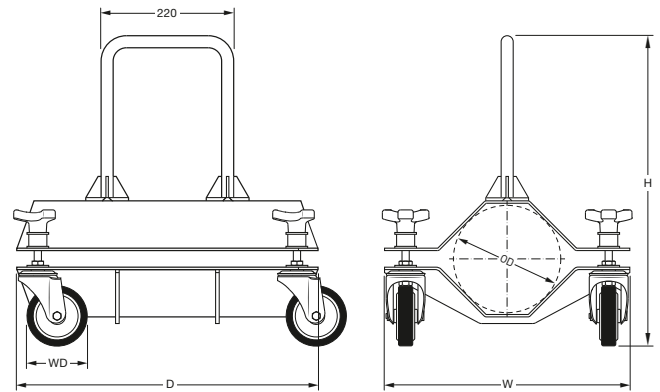
MATERIALS

Standard version available in polyester powder coated carbon steel (St). Stainless steel (SS) or other materials on request.

COLOURS



Measurements



Hose Size ^{*)}		Capacity Hose Tolerance	Wheel Diameter	Size	Weight	Handle Load	Part Number
Inch	mm	OD Ø (mm)	WD Ø (mm)	W x D x H (mm)	kg	max. kg	Type
6"	150	170 - 180	100	407 x 500 x 515	25	600	HTR-T 150 St
8"	200	222 - 240	125	500 x 600 x 531	41	800	HTR-T 200 St
10"	250	270 - 290	160	610 x 700 x 595	61	1000	HTR-T 250 St

^{*)} other hose sizes on request

ADVANTAGES

- relieves operators from strains by reducing the pull force significantly
- protects hose cover from damages which can be caused by dragging
- brightly coloured marking to increase hose visibility on the ground
- solid handle for easy hose movement



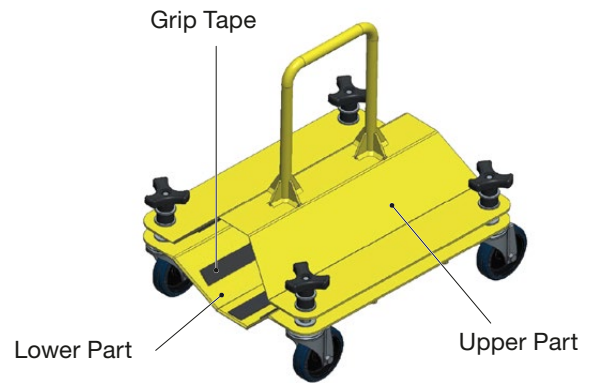
MOUNTING HINTS

The upper and lower part of the 'HTR-T' hose trolley can be easily assembled by fastening four wing nuts in the corners.

This allows adjusting the space between the two parts according to the outer diameter of the hose.

All edges and corners are rounded to ensure best protection of the hose cover.

'HTR-T' is supplied with a soft grip tape to avoid slipping of hose in axial direction.



APPLICATION PICTURES

