



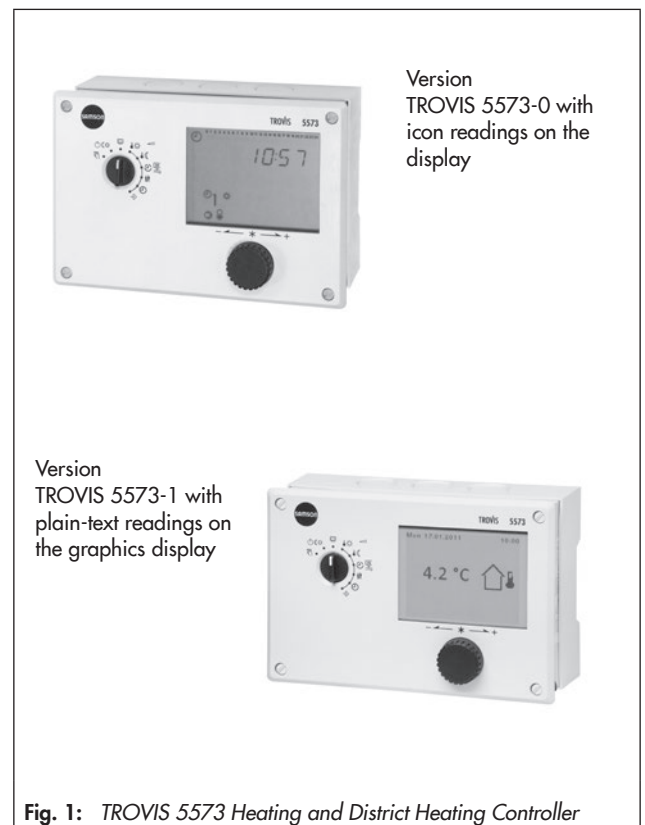
#### Application

Control of up to two control circuits

- Control of a primary heat exchanger or boiler with one mixing heating circuit and one non-mixing heating circuit (both outdoor-temperature-compensated) and control of DHW heating in the secondary circuit
- Outdoor-temperature-compensated buffer storage tank control with solid fuel boiler and solar circuit control
- Control of one outdoor-temperature-compensated heating circuit and a DHW heating with two valves in the primary circuit
- Control of two outdoor-temperature-compensated heating circuits with two valves in the primary circuit

#### Special features

- Rotary switch for direct access to the operating modes and key parameters of the control circuits
- Intuitive data retrieval and input by pressing and turning the pushbutton
- 365-day time switch with up to four time schedules and automatic summer time/winter time changeover; up to three times-of-use per day (input in steps of 15 minutes)
- Room panels connected to individual heating circuits to override operating mode and rated room temperature
- Demand-driven control by set point demand by subsequent controllers over a 0 to 10 V signal: the primary circuit controls the maximum flow temperature demanded plus adjustable boost.
- Heating characteristics optionally based on the gradient or based on four points; variable return flow temperature limitation
- Adaptation: automatic adaptation of the heating characteristic (room temperature sensor required)
- Optimization: calculation of the best possible activation and deactivation times for the heating (room temperature sensor required)
- Drying of jointless floors function with adjustable parameter settings



**Fig. 1:** TROVIS 5573 Heating and District Heating Controller

- Updatable flash memory in controller (operating system)
- Configuration and parameterization using a memory module
- Data logging function:
  - Operating data can be saved to a data logging module
  - Data can be displayed in the data log viewer on a computer
  - TROVIS 5573-1: analysis on the graphics display of the data saved in the operating data memory

## Versions

- **TROVIS 5573-000x:** heating and district heating controller with icon readings on the display
- **TROVIS 5573-100x:** heating and district heating controller with plain-text readings on the graphics display
- **TROVIS 5573-110x:** heating and district heating controller with graphics display and M-bus interface for three M-bus units

### Optional interfaces for communication:

- RS-232 to computer communication module
- RS-485 communication module

### Design and principle of operation

The TROVIS 5573 Heating and District Heating Controller is adapted to the specific system by setting the appropriate system code number. To select the code number, refer to the system schematics described in the associated mounting and operating instructions. Additional sensors and/or functions which are not part of the system's basic configuration may be selected over function blocks.

The switch positions ⇄ and entry of the key number allow access to the corresponding levels. For trained staff, the configuration levels used to set function blocks are indicated by "CO" and the parameter levels are indicated by "PA". For example, a clear distinction is made between two heating circuit levels and the domestic hot water level. Data is retrieved and entered at the controller using a rotary pushbutton. This process is facilitated by icons (TROVIS 5573-000x) or by icons and plain text (TROVIS 5573-100x and 5573-110x) displayed on the LCD. The rotary switch is used to set the operating mode and the parameters required for each circuit (see Fig. 3).

### Meter bus interface (TROVIS 5573-110x only)

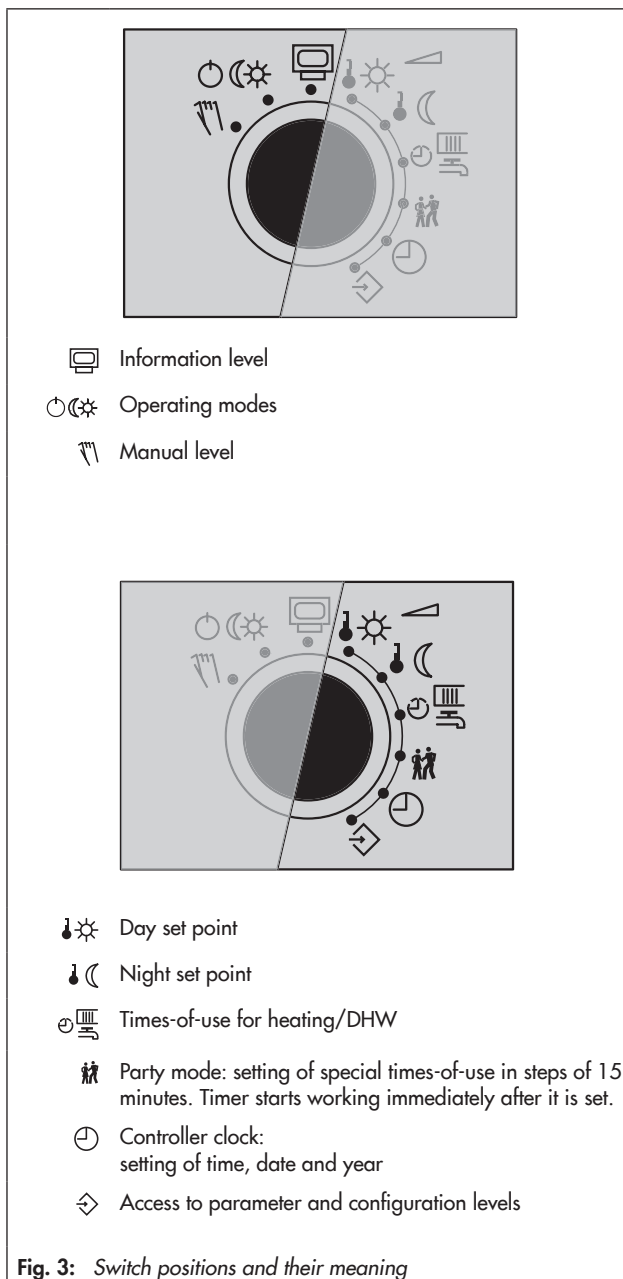
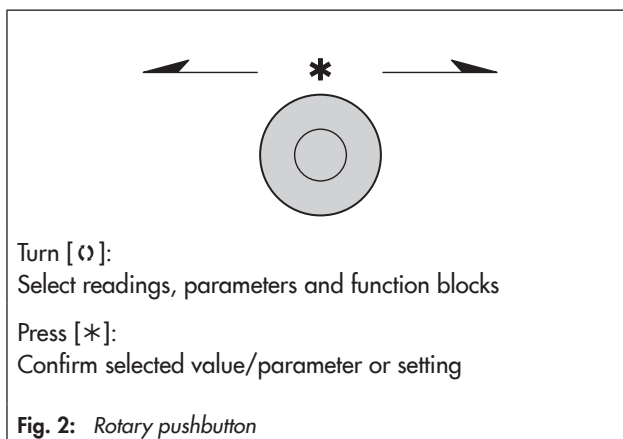
A maximum of three meters conforming to EN 1434-3 can be connected for data transfer. In addition, heat meter WMZ1 for control circuit RK1 and heat meter WMZ2 for control circuit RK2 are available for flow rate and/or capacity limitation. Various limits can be adjusted for the different operating modes "Heating control only", "Heating control with DHW heating" and "DHW heating only" in control circuit RK1. Outdoor-temperature-compensated flow rate or capacity limitation can also be implemented.

### Mounting

For wall mounting, the base of the housing is screwed to the wall. After wiring the controller, place the controller housing onto the base and fasten it with two screws. Two adjustable fixing clamps attached to the controller are used for panel mounting.

### Operation

The controller is operated using the operating controls on the front. The rotary pushbutton is used to select readings, parameters and function blocks. The rotary switch is used to set the operating mode and the key parameters for each control circuit.



### Electrical connection

The controller consists of the housing containing the electronics and a separate terminal board for electrical connection. Two wires with a cross-section of max. 1.5 mm<sup>2</sup> can be connected to each terminal. The sensor connection lines must be installed separately from the lines carrying the power supply.

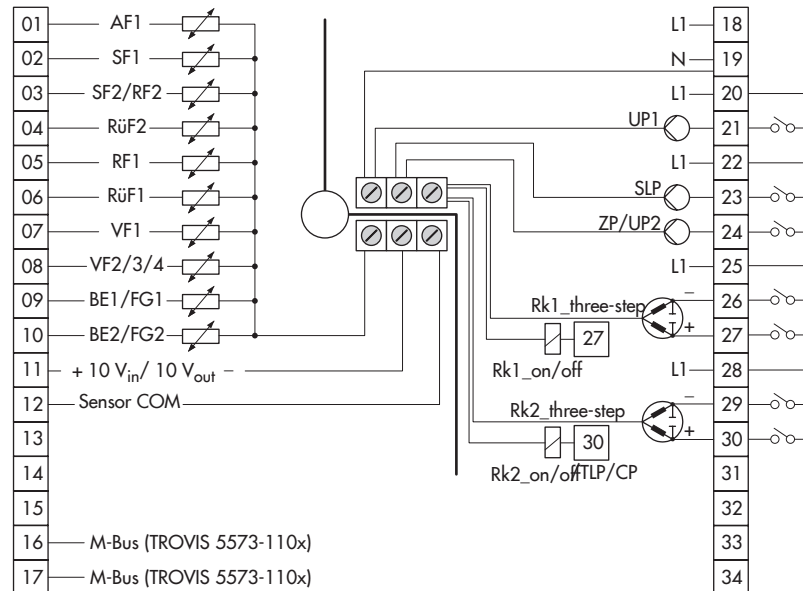


Fig. 4: Wiring of TROVIS 5573 Controller with standard base

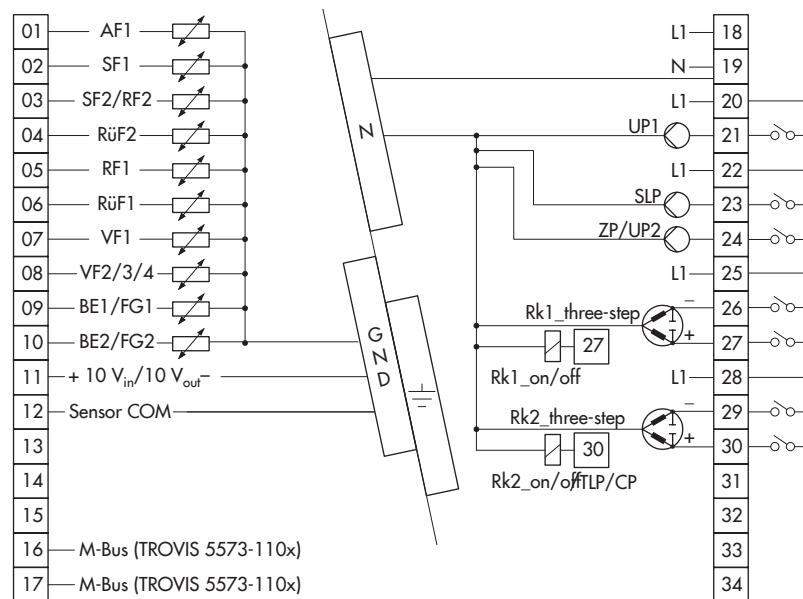


Fig. 5: Wiring of TROVIS 5573 Controller with high base

**Legend:**

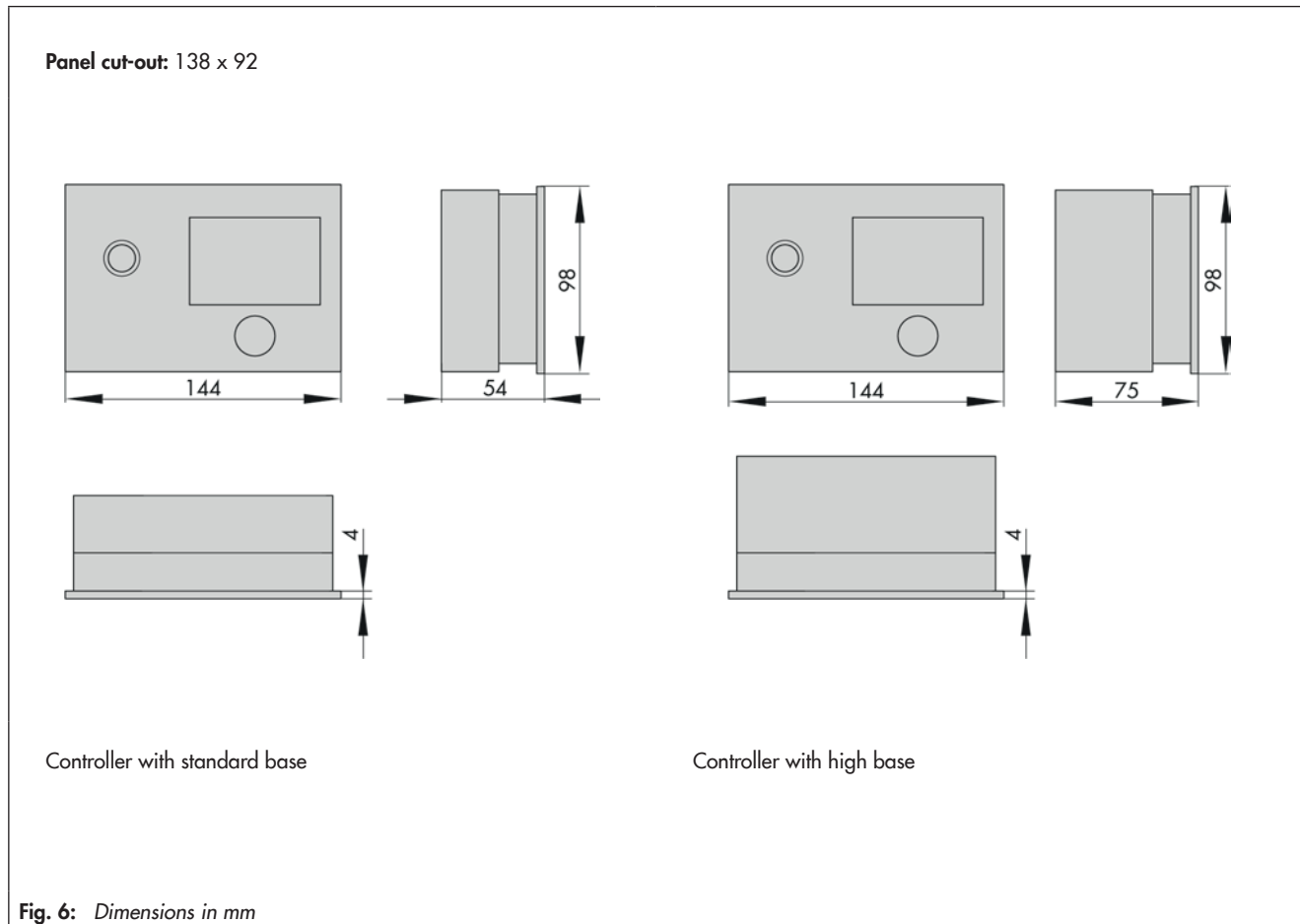
- |     |                     |    |                            |     |                              |
|-----|---------------------|----|----------------------------|-----|------------------------------|
| AF  | Outdoor sensor      | VF | Flow sensor                | SLP | Storage tank charging pump   |
| BE  | Binary input        | CP | Solar circuit pump         | TLP | Heat exchanger charging pump |
| FG  | Potentiometer       | RK | Control circuit            | ZP  | Circulation pump (DHW)       |
| RF  | Room sensor         | UP | Circulation pump (heating) |     |                              |
| RüF | Return flow sensor  |    |                            |     |                              |
| SF  | Storage tank sensor |    |                            |     |                              |

## Technical data

Inputs	8x inputs for Pt 1000, PTC or Ni 1000 temperature sensors and two binary inputs, terminal 11 as 0 to 10 V input (e.g. for external demand or outdoor temperature signal)
Outputs <sup>1)</sup>	2x three-step signal: rating max. 250 V AC, 2 A Alternatively 2x on/off signal: rating max. 250 V AC, 2 A 3x pump output: rating max. 250 V AC, 2 A; all outputs are relay outputs with varistor suppression Terminal 11 as 0 to 10 V output (e.g. for continuous closed loop control, outdoor temperature, signal for external demand or pump speed control), load >5 k $\Omega$
Interfaces (TROVIS 5573-110x only)	M-bus for up to three M-bus units, protocol according to EN 1434-3
Optional interfaces	1x Modbus RS-485 interface for two-wire bus using RS-485 communication module (Modbus RTU protocol, data format 8N1, RJ45 connector socket at the side)
Supply voltage	85 to 250 V, 48 to 62 Hz, max. 7 VA
Permissible ambient temperature range	0 to 40 °C (operation), -10 to +60 °C (storage and transport)
Degree of protection	IP 40 according to EN 60529
Class of protection	II according to EN 61140
Degree of contamination	2 according to EN 61010-1
Overvoltage category	II according to EN 60664
Noise immunity	According to EN 61000-6-1
Noise emission	According to EN 61000-6-3
Conformity	<b>CE · EAC</b>
Weight	Approx. 0.5 kg

<sup>1)</sup> For systems with one control circuit, a maximum of four pumps are available

## Dimensions



## Accessories

Memory module	Order no. 1400-9379
Mini module	Order no. 1400-7436
Data logging module	Order no. 1400-9378
USB converter 3 together with data log viewer software	Order no. 1400-9377
TROVIS-VIEW software (free of charge)	▶ <a href="http://www.samsunggroup.com">www.samsunggroup.com</a> > SERVICE & SUPPORT > Downloads > TROVIS-VIEW
RS-485 communication module	Order no. 8812-2002
Surge arrester SA 5000	Order no. 1400-9868
SAM HOME Gateway	Type 5660
SAM-LAN Gateway	Type 5650
SAM MOBILE Gateway	Type 5655
Sensors and room panels	▶ T 5200 (Information Sheet: Temperature Sensors and Thermostats)

### Ordering text

TROVIS 5573 Heating and District Heating Controller

- With icon readings on the display/  
with plain-text readings on the graphics display/  
with graphics display and M-bus interface
- With standard base or high base

### Associated mounting and operating instructions

- For TROVIS 5573  
(icon readings on the display): ▶ EB 5573
- For TROVIS 5573-1  
(plain-text readings on the graphics display) ▶ EB 5573-1
- For TROVIS-VIEW: ▶ EB 6661